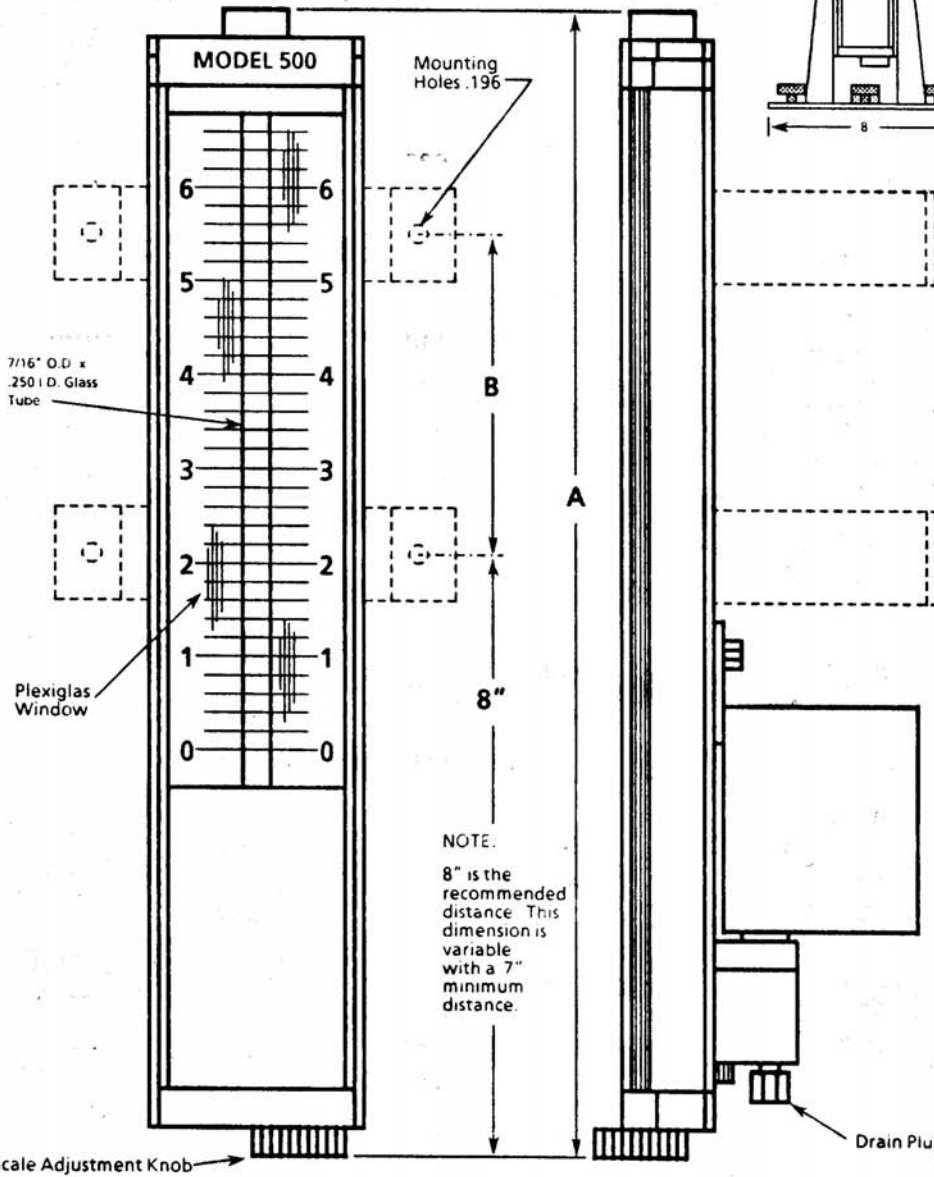
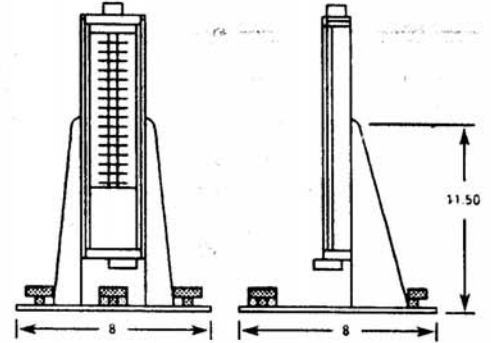
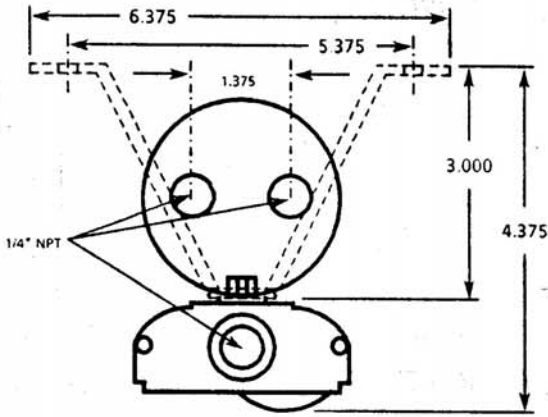


**ALTA - ROBBINS  
MODEL 500  
WELL-TYPE MANOMETER  
WALL MOUNT / TABLE MOUNT**



RANGE	A	B*
6"	12.985	2 1/2
12"	18.985	5 1/2
16"	22.985	7 1/2
20"	26.985	10 1/2
24"	30.985	14 1/2
30"	36.985	20 1/2
35"	41.985	25 1/2
40"	46.985	30 1/2
50"	56.985	40 1/2
60"	66.985	50 1/2
70"	76.295	60 1/2
80"	86.165	70 1/2
90"	96.045	80 1/2
100"	105.855	90 1/2
110"	115.735	100 1/2
120"	125.605	110 1/2
130"	135.475	120 1/2
150"	155.235	140 1/2

With Three Valve Manifold  
add 2.5" to given length.

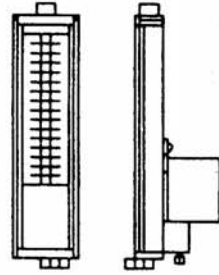
With Table Mount Stand  
add 1.5" to given length

\*Dimensions listed in column B  
are manufacturers  
recommendations, they can be  
varied by the customer

# MODEL 500 SPECIFICATIONS

## TO ORDER SPECIFY:

Model Number  
Range  
Scale  
Indicating Fluid  
Options  
Accessories



### RANGES - INCHES

6	35	90
12	40	100
16	50	110
20	60	120
24	70	130
30	80	150

### PRESSURE RATING

250 PSIG Standard  
Higher Ratings Available  
(up to 1200 PSI)

### FINISH

Black Anodized

### SCALES

Curved Anti-Parallax Quick Change Design  
Permits Scale Removal Without Tube Removal

### WETTED PARTS

316 Stainless Steel  
Pyrex Glass  
Viton ( O-Ring seals)

### INDICATING FLUID

FLUID	SP. GR.
R827 Red Oil	0.827
G1000 Green Con.	1.000
R100 Red Oil	1.00
Y120 Yellow Oil	1.20
B175 Blue Fluid	1.75
R295 Red Fluid	2.95
CA3000 Mercury	13.54

### MOUNTING STYLES

Wall Mount  
Front of Board Mount (Wall or Panel)  
Flush Front Mount (Panel)  
Table Mount

### SCALE GRADUATIONS

- A - Linear inches and tenths
- B - Inches water pressure using mercury calibrated dry
- C - Pounds and tenths using mercury (PSI)
- D - Pounds and ounces using mercury
- F - Linear centimeters and millimeters
- G - Inches and tenths water pressure using R827 Red Oil
- H - Inches and tenths water pressure using B175 Blue Fluid
- I - Inches and fifths water pressure using R295 Red Fluid
- MC - Kilograms per sq. cm. using mercury
- MBAR - Millibars using mercury
- Direct - Direct in flow units  
- Direct in liquid level units
- AT - Altitude
- AS - Airspeed knots, MPH
- Special - Provide all data

### ACCESSORIES

Check Valve  
Return Well  
Line Trap  
Three Valve Manifold

### OPTIONS

Scale Vernier  
(to enhance resolution to .01")  
Raised Well  
Common Mounting Bracket